

**COASTAL
PERFORMANCE**
by Sunrise Windows, LTD.

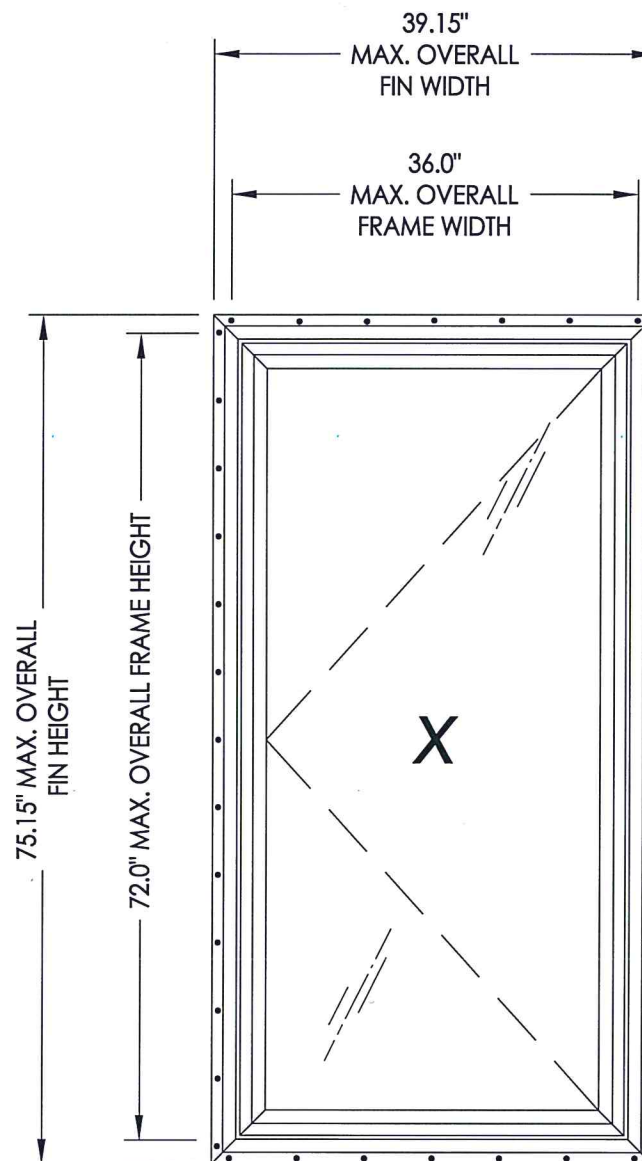
Series 7210 Coastal Performance Casement Window w/ Nailing Fin "IMPACT"

GENERAL NOTES

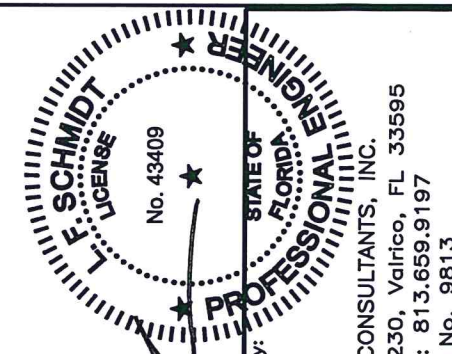
1. This product has been evaluated and is in compliance with the 6th Edition (2017) Florida Building Code (FBC) structural requirements excluding the "High Velocity Hurricane Zone" (HVHZ).
2. Product anchors shall be as listed and spaced as shown on details. Anchor embedment to base material shall be beyond wall dressing or stucco.
3. When used in areas requiring wind borne debris protection this product complies with FBC Sections 1609.1.2 & R301.2.1.2 and does not require an impact resistant covering. This product meets missile level "D" and includes Wind Zone 4 as defined in ASTM E1996 and FBC Sections 1609.1.2.2 & R301.2.1.2.1.
4. Site conditions that deviate from the details of this drawing require further engineering analysis by a licensed engineer or registered architect.

TABLE OF CONTENTS

SHEET#	DESCRIPTION
1	Typical elevations, design pressures & general notes
2	Vertical & horizontal cross sections
3	Vertical & horizontal cross sections
4	Buck & frame anchoring
5	Bill of materials, glazing details and components



OVERALL FIN DIMENSION	OVERALL FRAME DIMENSION	OVERALL DAY LIGHT DIMENSION	GLASS TYPE	DESIGN PRESSURE (PSF)	
				POS.	NEG.
39.15" X 75.15"	36.0" X 72.0"	29.5" X 65.5	G1	+50.0	-50.0



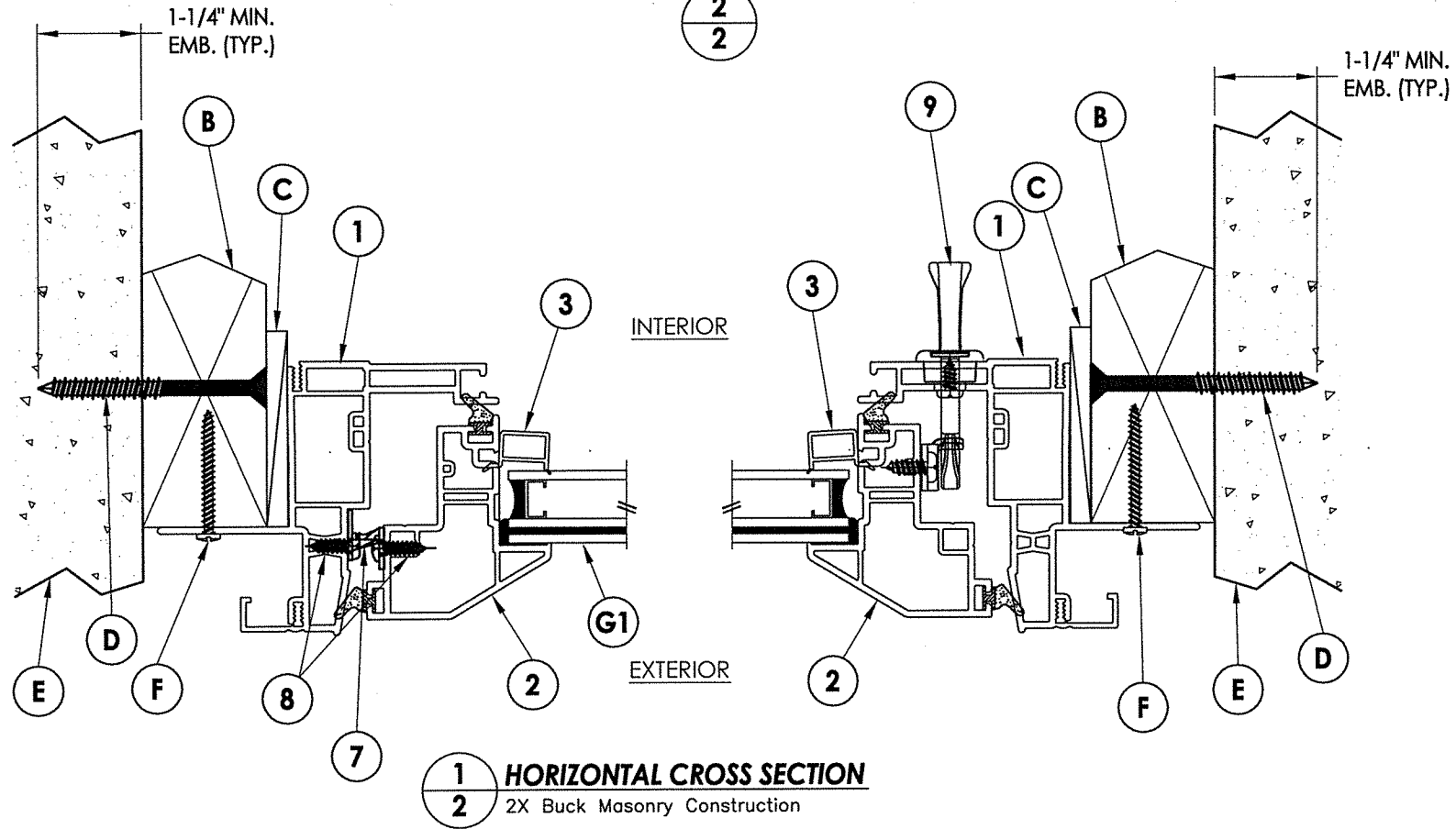
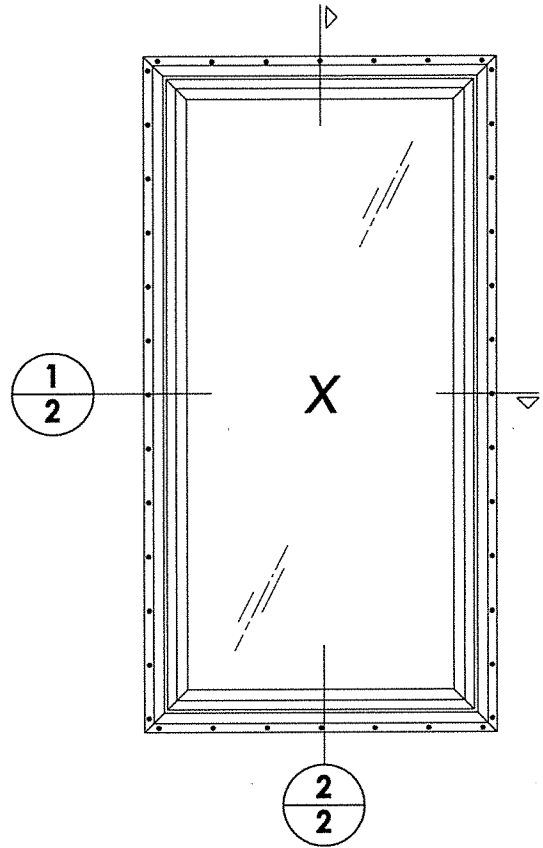
Documents Prepared By:
Lyndon F. Schmidt
P.E. No. 43409
4.24.18

R.W.
BUILDING CONSULTANTS, INC.
P.O. Box 230, Valrico, FL 33595
Phone No.: 813.659.9197
FBPE C.A. No. 9813

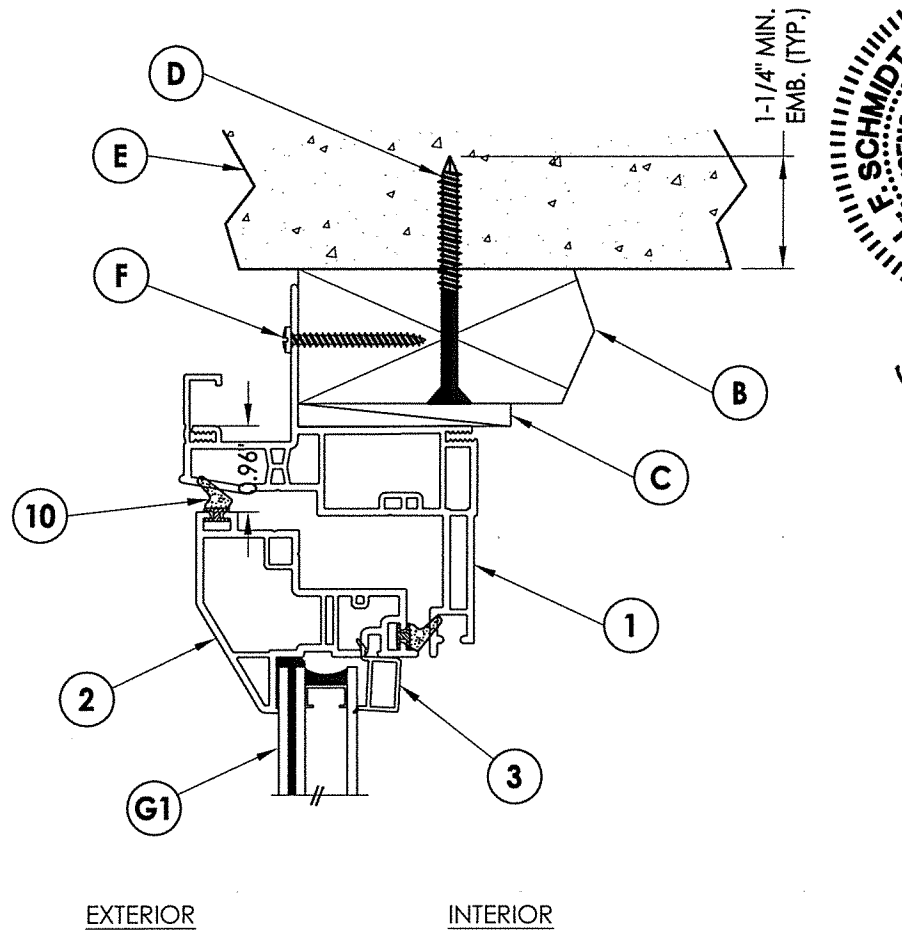
PRODUCT: Sunrise Windows
PART OR ASSEMBLY:
TYPICAL ELEVATION, DESIGN
PRESSURES & GENERAL NOTES

NO.	DATE	BY	REVISIONS

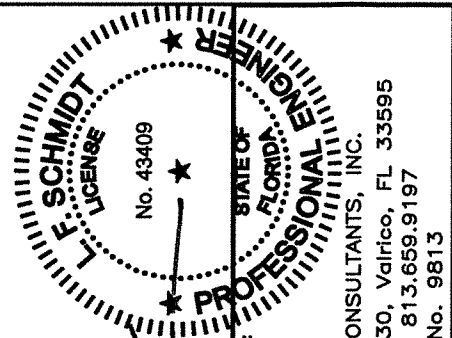
DATE: 4/12/18
SCALE: N.T.S.
DWG. BY: JK
CHK. BY: LFS
DRAWING NO.:
FL-26907.1
SHEET 1 OF 5



1 HORIZONTAL CROSS SECTION
2 2X Buck Masonry Construction



2 VERTICAL CROSS SECTION
2 2X Buck Masonry Construction

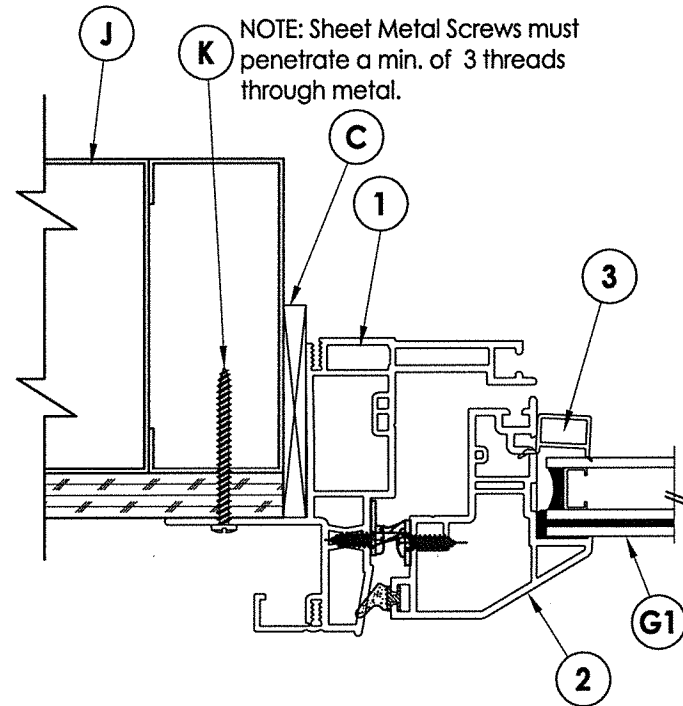
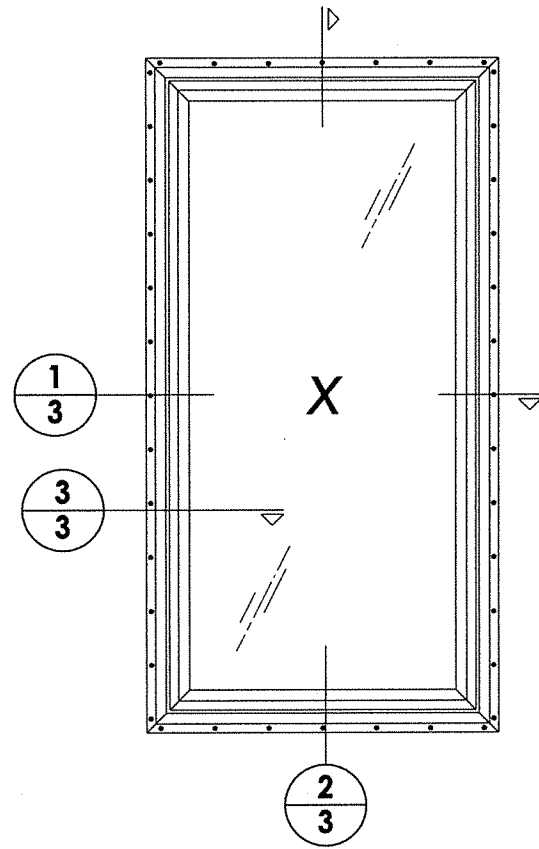


LFS
4-24-18

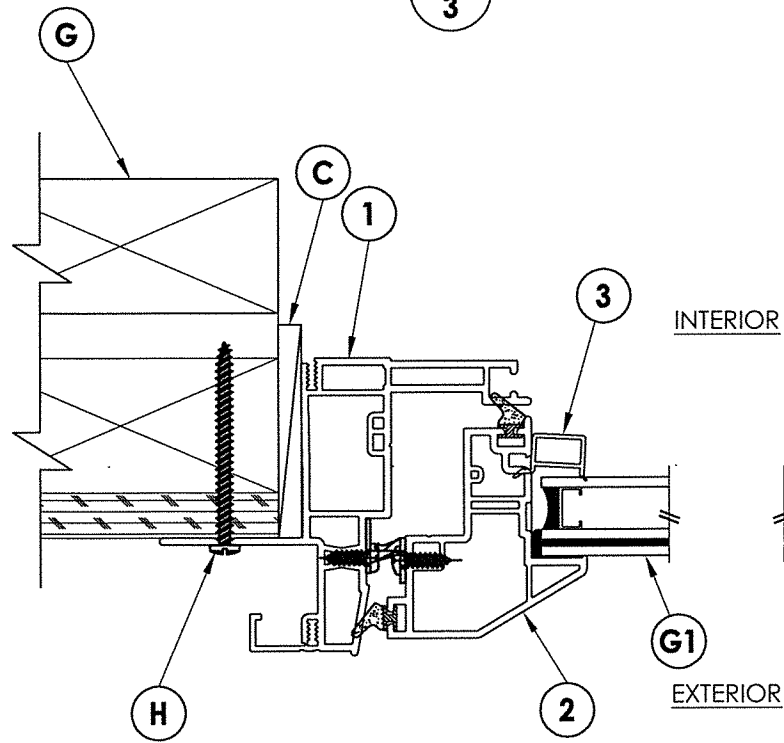
Documents Prepared By:
 Lyndon F. Schmidt
 P.E. No. 43409

RW
 BUILDING CONSULTANTS, INC.
 P.O. Box 230, Valrico, FL 33595
 Phone No.: 813.659.9197
 FBPE C.A. No. 9813

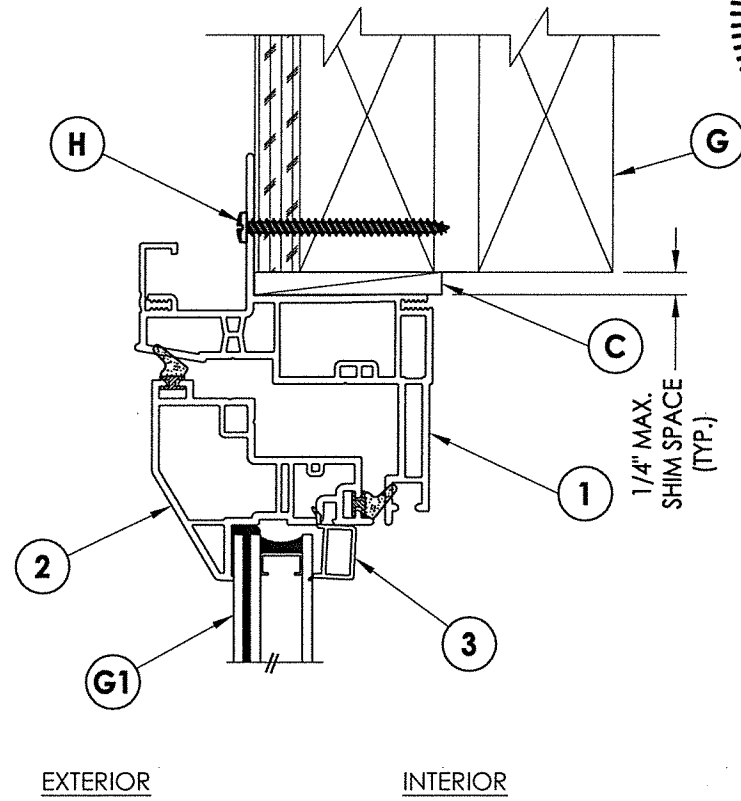
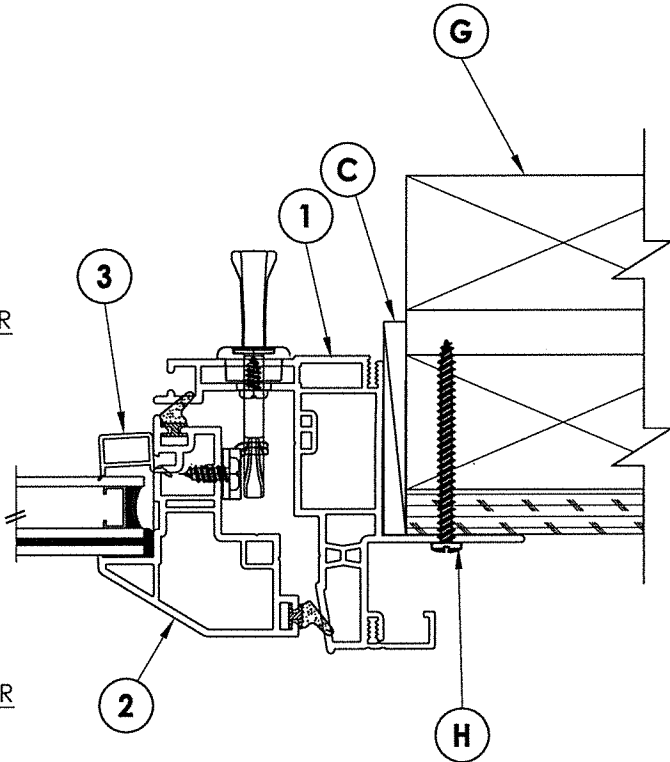
PRODUCT: Sunrise Windows	
PART OR ASSEMBLY: VERTICAL & HORIZONTAL CROSS SECTIONS	
NO.	DATE
BY	REVISIONS
DATE: 4/12/18	
SCALE: N.T.S.	
DWG. BY: JK	
CHK. BY: LFS	
DRAWING NO.: FL-26907.1	
SHEET 2 OF 5	



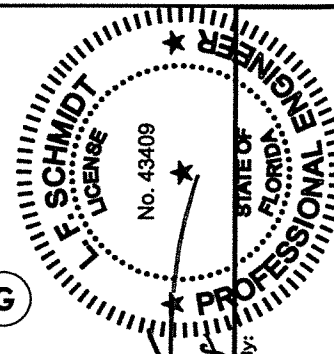
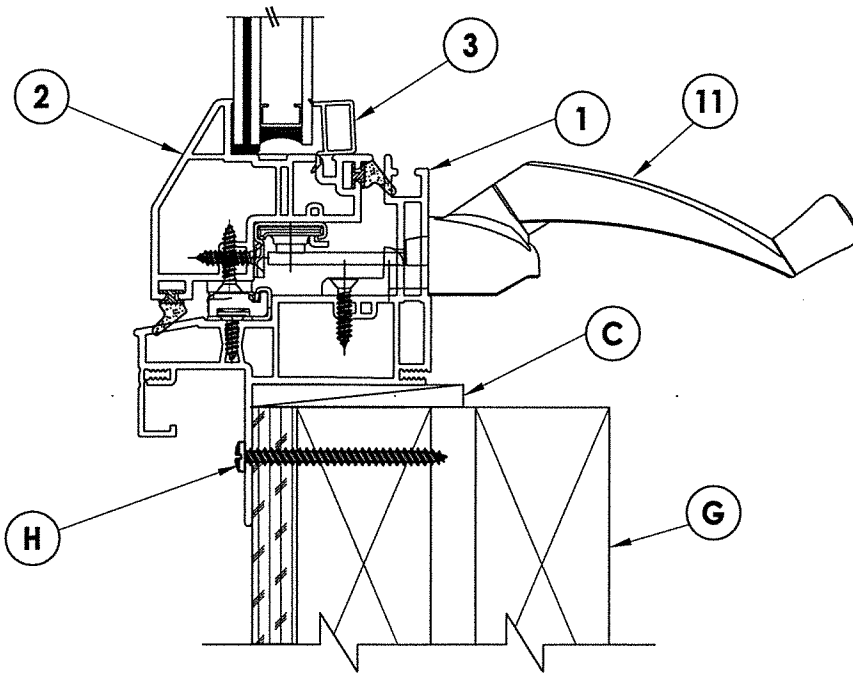
3 HORIZONTAL CROSS SECTION
Shown w/ Steel Stud Framing Option



1 HORIZONTAL CROSS SECTION
Stud Construction



2 VERTICAL CROSS SECTION
Stud Construction



LFS
4/24/18

Documents Prepared By:
Lyndon F. Schmidt
P.E. No. 43409

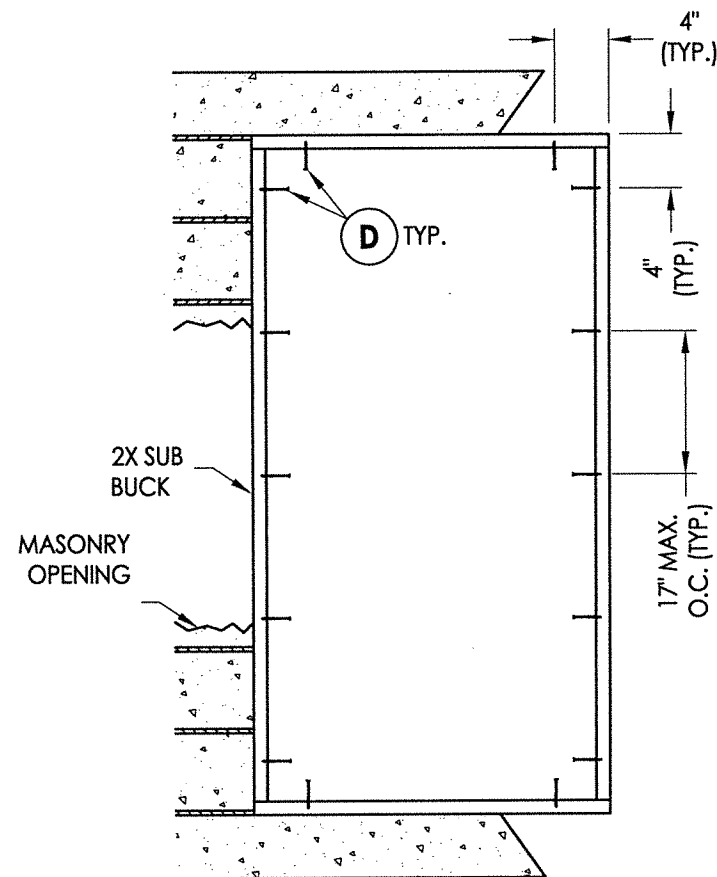
RW
BUILDING CONSULTANTS, INC.
P.O. Box 230, Valrico, FL 33595
Phone No.: 813.659.9197
FBPE C.A. No. 9813

PRODUCT: Sunrise Windows

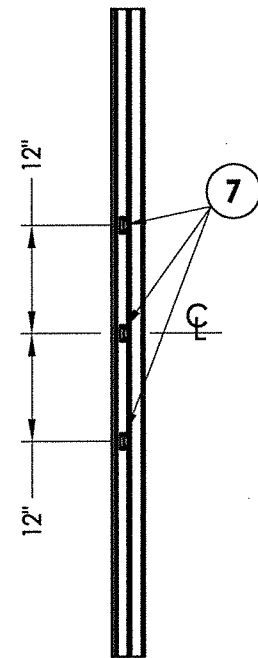
PART OR ASSEMBLY:
VERTICAL & HORIZONTAL
CROSS SECTIONS

NO.	DATE	BY

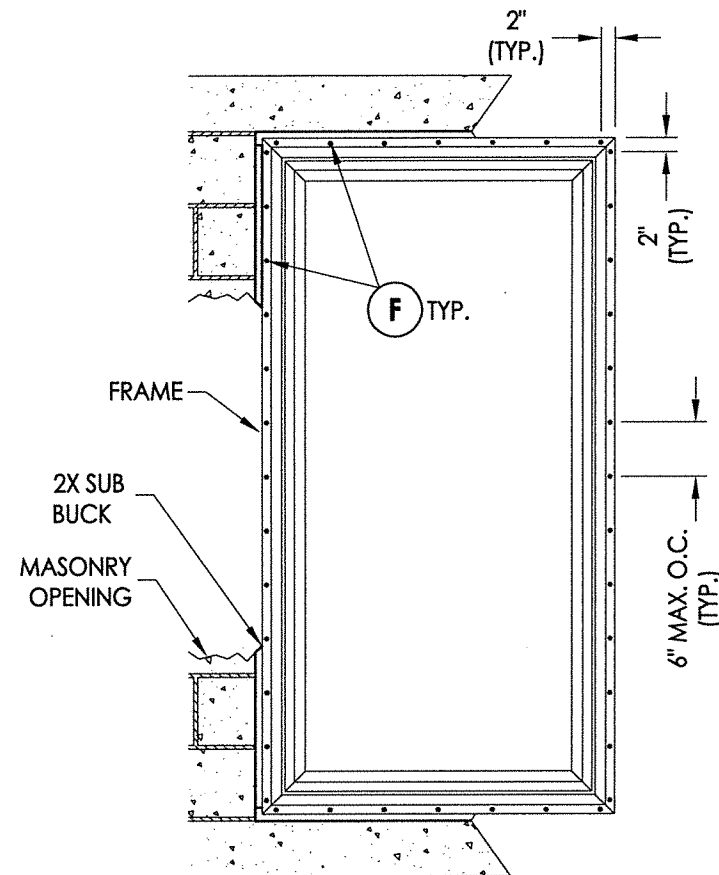
DATE: 4/12/18
SCALE: N.T.S.
DWG. BY: JK
CHK. BY: LFS
DRAWING NO.: FL-26907.1
SHEET 3 OF 5



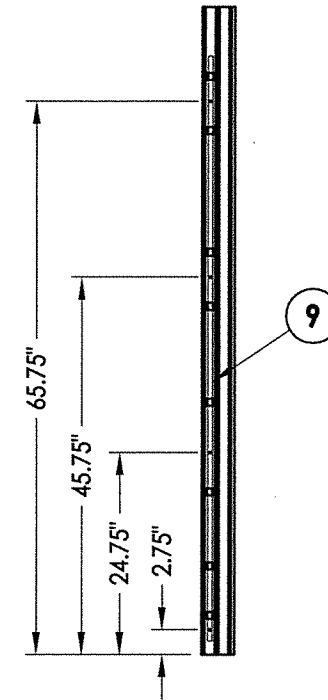
2X BUCK ANCHORING
Single unit



HINGE JAMB
Subber locations

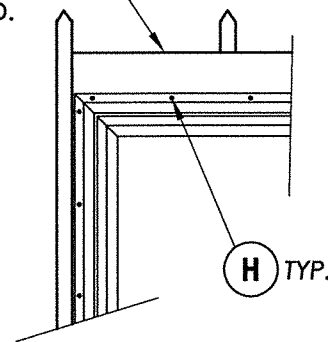


FRAME ANCHORING



LOCK JAMB
Lock locations

2X FRAMING TO BE DESIGNED BY THE ENGINEER OR ARCHITECT OF RECORD BASED ON WIND LOADS AND THE CLADDING BEING USED.



FRAME ANCHORING
Stud Construction

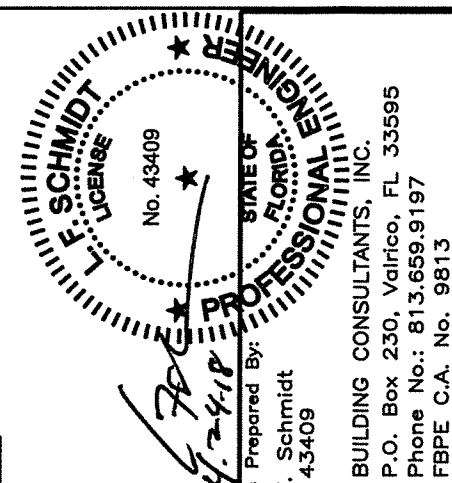
CONCRETE ANCHOR NOTES:

- Concrete anchor locations at the corners may be adjusted to maintain the min. edge distance to mortar joints.
- Concrete anchor locations noted as "MAX. ON CENTER" must be adjusted to maintain the min. edge distance to mortar joints, additional concrete anchors may be required to ensure the "MAX. ON CENTER" dimension are not exceeded.
- Concrete anchor table:

ANCHOR TYPE	ANCHOR SIZE	MIN. EMBEDMENT	MIN. CLEARANCE TO MASONRY EDGE	MIN. CLEARANCE TO ADJACENT ANCHOR
ITW TAPCON®	1/4"	1-1/4"	2"	4"
ELCO ULTRACON®	1/4"	1-1/4"	1"	4"

WOOD SCREW INSTALLATION NOTES:

- Maintain a minimum 5/8" edge distance, 1" end distance, & 1" o.c. spacing of wood screws to prevent the splitting of wood.



Documents Prepared By:
Lyndon F. Schmidt
P.E. No. 43409
RW BUILDING CONSULTANTS, INC.
P.O. Box 230, Valrico, FL 33595
Phone No.: 813.659.9197
FBPE C.A. No. 9813

PRODUCT: Sunrise Windows
PART OR ASSEMBLY: BUCK & FRAME ANCHORING

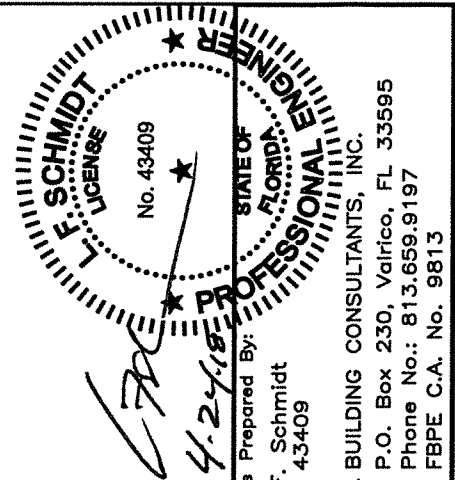
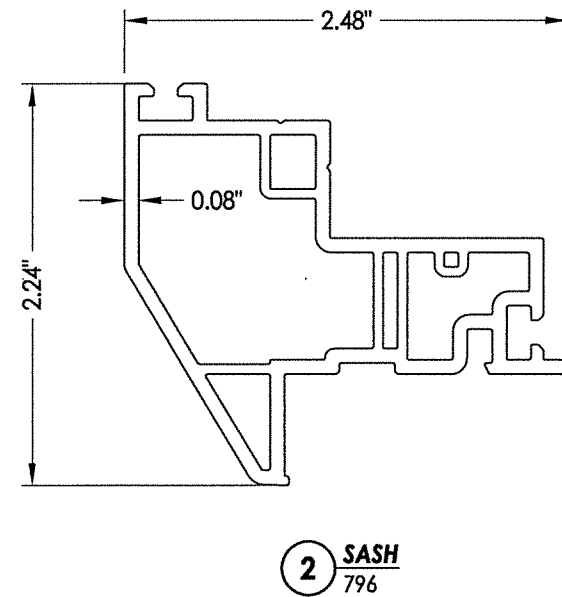
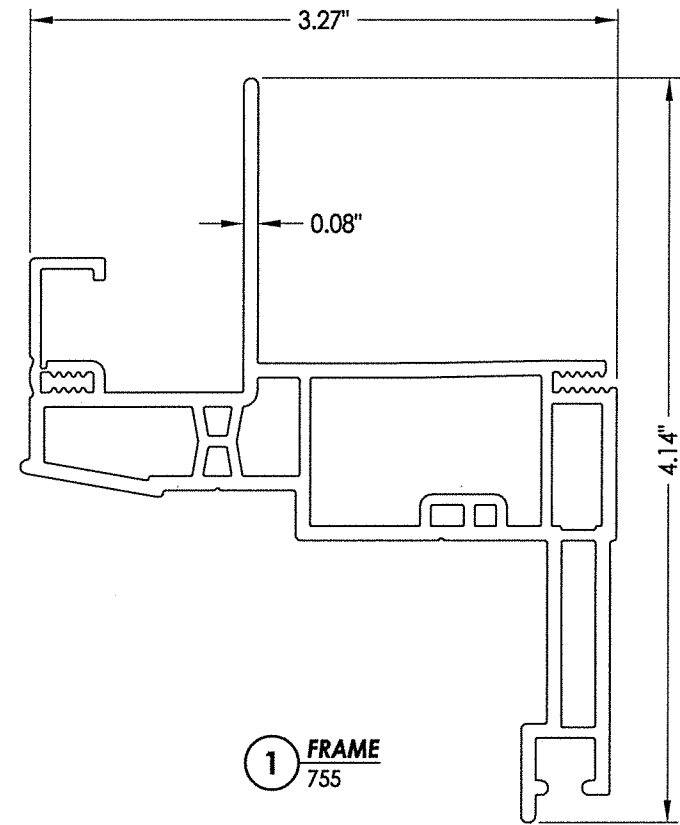
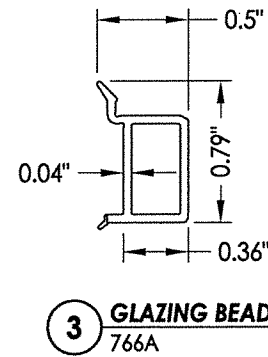
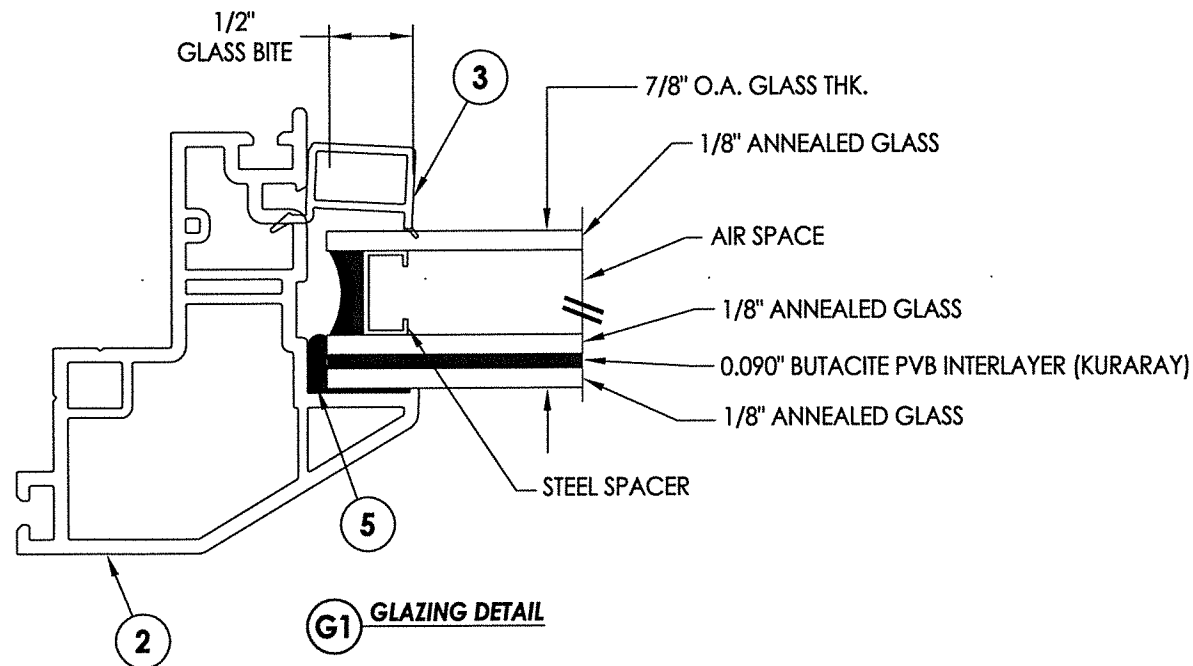
NO.	DATE	BY

DATE: 4/12/18
SCALE: N.T.S.
DWG. BY: JK
CHK. BY: LFS
DRAWING NO.: FL-26907.1
SHEET 4 OF 5

BILL OF MATERIALS

ITEM #	DESCRIPTION	MATERIAL
B	2X BUCK (SG >= 0.42)	WOOD
C	1/4" MAX. SHIM SPACE	-
D	1/4" X 2-3/4" PFH ELCO OR ITW CONCRETE SCREW	STEEL
E	MASONRY - 3,000 PSI MIN. CONCRETE CONFORMING TO ACI 301 OR HOLLOW BLOCK CONFORMING TO ASTM C90	CONCRETE
F	#8 X 1-1/2" PPH SMS (1-3/8" MIN. EMBEDMENT)	STEEL
G	2X STUD (SG >= 0.42)	WOOD
H	#8 X 2" PPH SMS (1-3/8" MIN. EMBEDMENT)	STEEL
J	STEEL STUD Min. Thk .033" (ASTM A653 GRADE 33 Fy=33 ksi min., Fu=45 ksi min.)	STEEL
K	#10 PPH SELF-DRILLING SMS	STEEL
1	EXTRUDED VINYL FRAME *	RIGID PVC
2	EXTRUDED VINYL SASH *	RIGID PVC
3	EXTRUDED VINYL GLAZING BEAD *	RIGID PVC
4	GLASS SETTING BLOCK	-
5	GLAZING SEALANT (PECORA 896HIS)	SILICONE
7	SNUBBER	STEEL
8	#9 X 9/16" PPH SMS	STEEL
9	LOCK ASSEMBLY	STEEL
10	FOAMTITE SEAL	-
11	SINGLE ARM OPERATOR	-

* THE APPROVED WHITE RIGID PVC EXTERIOR EXTRUSIONS FOR WINDOWS ARE TO BE PRODUCED BY EXTRUDERS LICENSEES IN "AAMA CERTIFICATION PROGRAMS FOR RIGID PVC EXTRUSIONS".



PRODUCT: Sunrise Windows

PART OR ASSEMBLY:
BILL OF MATERIALS, GLAZING
DETAIL & COMPONENTS

NO.	DATE	BY

DATE: 4/12/18
SCALE: N.T.S.
DWG. BY: JK
CHK. BY: LFS
DRAWING NO.: FL-26907.1
SHEET 5 OF 5

R.W. BUILDING CONSULTANTS, INC.
P.O. Box 230, Valrico, FL 33595
Phone No.: 813.659.9197
FBPE C.A. No. 9813